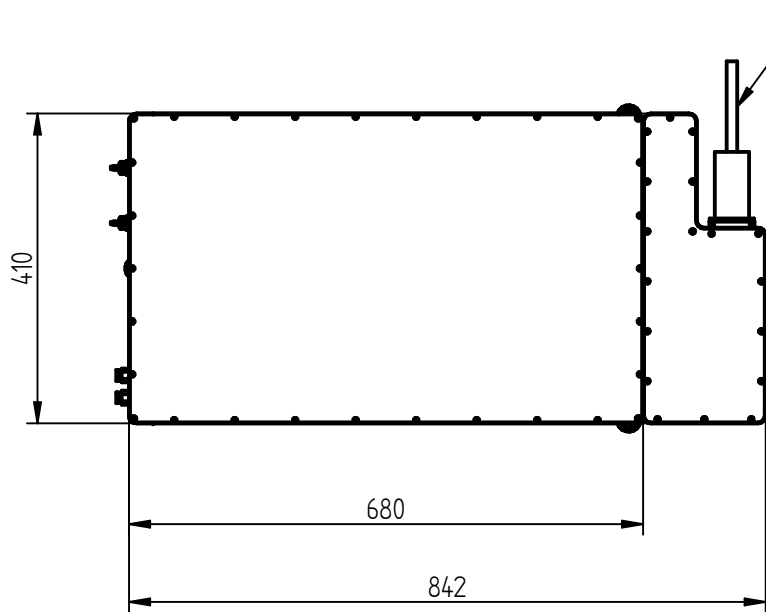
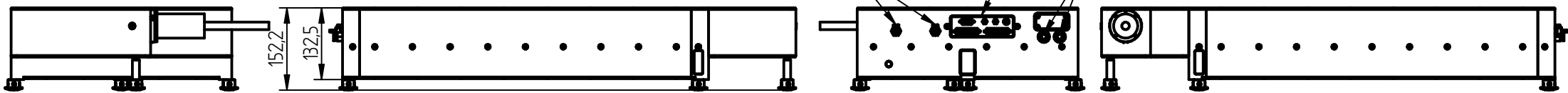


Air circulation input and output

Power input and signal control interface

Cooling water input and output



Optical cable output

